



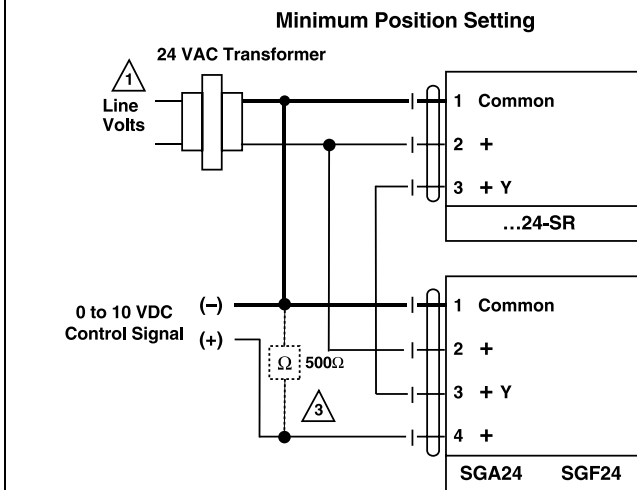
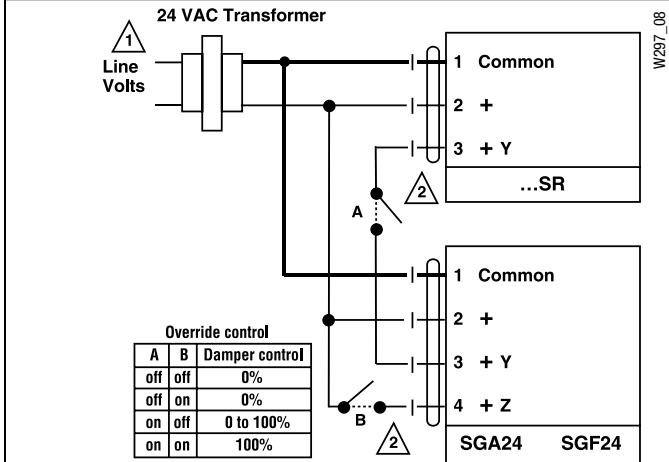
SGA24



SGF24

| Technical Data | SGA24, SGF24 |
|----------------------|---|
| Power supply | 24 VAC ± 20% 50/60 Hz, 24 VDC ± 10% |
| Transformer sizing | 1 VA |
| Control signal Y | 0.5 to 10 VDC; 2 to 10 VDC (switchable) |
| Power output | up to 10 actuators (1 mA max) |
| Degree of protection | (SGA24 only NEMA 2 [IP54]) |
| Connection | Terminals (14 ga. wire max) |
| Humidity | 5 to 95% RH non-condensing |

Wiring Diagrams



- 1 Provide overload protection and disconnect as required.
- 2 Override switches are optional.
- 3 A 500Ω resistor (ZG-R01) must be added for 4 to 20 mA control.

Application

These positioners are intended for the remote control of modulating actuators or for use as a minimum positioner (providing a minimum limit for the output signal from a modulating controller). The control range is 0 to 100% of the angle of rotation of the actuator.

Positioner SGA24 is for surface mounting with a NEMA 2 housing included. Positioner SGF24 is for flush mounting.

Operation

The positioner receives its supply voltage through terminals 1 and 2. A rotary knob is turned, producing a proportional control signal (Y) at the output (terminal 3) of either 0.5 to 10 VDC or 2 to 10 VDC and therefore a proportional change in the position of the actuator between 0 and 100%. When used for a minimum limit, the positioner works as a higher of 2 signal selector. This function allows only the signal from the controller or positioner, whichever is greater, to go to the actuator.

Function

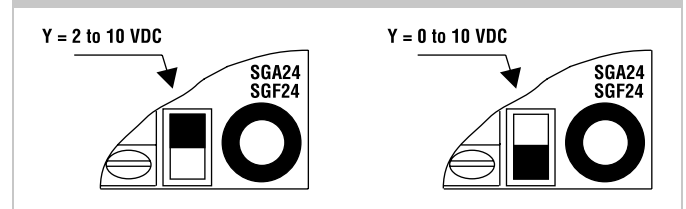
The changeover from 2 to 10 V to 0 to 10 V is selected by means of a slide switch on the printed circuit board.

The angle of rotation of the knob can be limited mechanically, by moving the adjustable stops under the knob.

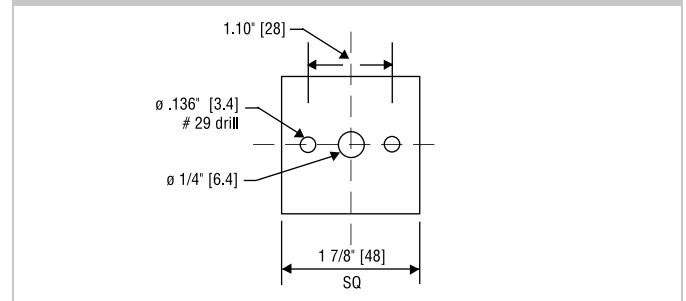
Accessory

ZG-SGF Mounting plate for single gang wiring box

Changeover Switch



Drilling template for SGF24 (flush mount)



Dimensions (Inches [mm])

